

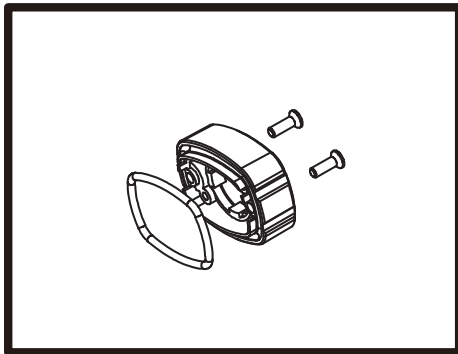


**ATD-80378**  
**700 Lumen COB Corded Work Light**  
**Owner's Manual**

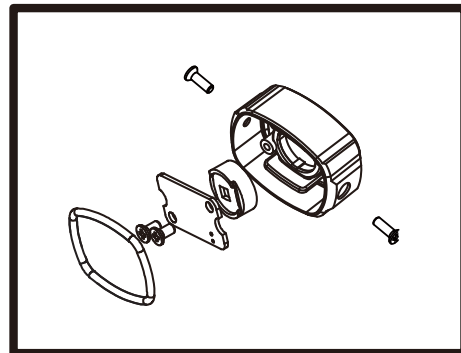
**PLEASE NOTE BEFORE ORDERING PARTS:**

There are two versions of this light, the first generation has screws in the top of the top lens housing, while the second generation has screws in the sides of the top lens housing. Please see the correct drawing for the correct part numbers for YOUR light.

**THESE PARTS ARE NOT INTERCHANGEABLE!**



1st Generation



2nd Generation



## ATD-80378 700 Lumen COB Corded Work Light Owner's Manual



### **Features**

- Front COB provides 700 lumens of bright light
- Top LED light offers an additional flashlight function - 50 lumens
- Two dual 360 degree rotating hooks with magnets for hanging and sticking to steel
- Tough, impact resistant ergonomic housing
- IP54 rated for dust & water resistance
- 25' 18/2 SJTOW cord remains flexible in cord weather and is oil and grease resistant
- CSA listed


### **Operating instructions**


- To use, plug the unit into any 110-120V AC power source, such as a wall receptable.
- Press the switch once for top LED, twice for front bulb, and third for off.


### **Cautions**

- Use only the recommended voltage.
- Keep out of reach of children.
- Do not operate light with wet hands.
- Keep lamp away from hot objects.

## General Safety Warnings:


 **WARNING:** The instructions and warnings contained in this manual should be read and understood before using or operating this light. Do not allow anyone to use or operate this light until they have read this manual and have developed a thorough understanding of how this light works. Failure to observe any of the following instructions could result in severe personal injury to tool user and bystanders, or cause damage to the tool and property. Keep this manual for future reference.


 **Note:** The warnings and cautions discussed in this instruction manual cannot cover all possible conditions and situations that may occur. It must be understood by the operator that common sense and caution are factors which cannot be built into this product, but must be supplied by the operator.


 **WARNING:** Always keep your work area clean, uncluttered, and well lit. Cluttered or dark areas invite accidents and injuries. DO NOT work on floor surfaces that are slippery.


---


## Electrical Safety Warnings:


 **WARNING:** Read all safety warnings and instructions. Failure to follow all warnings and instructions may result in electric shock, fire and/or serious injury or death.


 **WARNING:** Before connecting a light to a power supply, always check to ensure the power supply corresponds to the voltage on the nameplate of the light. A power supply with a voltage greater than that specified for the light can result in serious injury to the user, as well as damage to the light. Using a power supply with a voltage less than the nameplate rating is harmful to the motor. If in doubt, do not plug in the light.


 **WARNING:** Grounded lights must be plugged into an outlet properly installed and grounded in accordance with all codes and ordinances. This light is equipped with a 3-prong plug and a 3-wire grounding system. Never remove the grounding prong or modify the plug in any way. Do not use any adapter plugs. Check with a qualified electrician if you are in doubt as to whether the outlet is properly grounded.

 **NOTE:** Double insulated lights are equipped with a polarized plug (one blade is wider than the other). This plug will fit in a polarized outlet only one way. If the plug does not fit fully in the outlet, reverse the plug. If it still doesn't fit, contact a qualified electrician to install a polarized outlet. Do not change the plug in any way.

 **WARNING:** To reduce the risk of electric shock, DO NOT use in damp conditions, on wet surfaces, or expose to rain. Do not plug in this light or operate it with wet hands or while standing in water.

 **WARNING:** Never use the cord for carrying, pulling or unplugging the power light. Grasp plug and pull to disconnect from outlet. Keep cord away from heat, oil, sharp edges or moving parts. Replace damaged cords immediately.

 **WARNING:** Always remove the power cord from the electric outlet when making adjustments, changing parts, cleaning or working on the light.

 **WARNING:** Care should be taken to arrange the cord so it will not be stepped on, tripped over, or otherwise subjected to damage or stress.

**⚠️ WARNING:** Never attempt to plug in or operate equipment with defective or damaged wires, power cord or power cord plug. Have any defective or damaged parts replaced immediately by qualified personnel.

**⚠️ WARNING:** Avoid body contact with electrically grounded surfaces. There is an increased risk of electric shock if your body is grounded.

**⚠️ WARNING:** Ground Fault Circuit Interrupter (GFCI) protection is to be provided on the circuit(s) or outlet(s) to be used for the wet location portable luminaire. Receptacles are available having built-in GFCI protection and are able to be used for this measure of safety.

**⚠️ WARNING:** Use only with an extension cord for outdoor use, such as an extension cord of cord type SEW, SEOW, SEOWW, SOW, SOOW, STW, STOW, STOOW, SJEW, SJEOW, SJEOOW, SJW, SJOW, SJOOW, SJTW, SJTOW, or SJTOOW

**⚠️ WARNING:** Use of improper size or gauge of extension cord may cause unsafe or inefficient operation of your light, or cause damage to your light. Be sure your extension cord is rated to allow sufficient current flow to the motor. If in doubt, always use a larger gauge cord. Be sure to check the voltage requirements of the light to your incoming power source.

**📖 NOTE:** The table below shows the correct size to use according to cord length and the amperage draw of the light (specified on the nameplate). When in doubt, use the next heavier gauge. The smaller the gauge number, the heavier the cord. (AWG = American Wire Gauge).

Minimum Gauge for Extension Cords (AWG)  
(when using 120 volts only)

Ampere Rating		Total Length of Cord in Feet (meters)			
More Than	Not More Than	25' (7.6m)	50' (15m)	100' (30.4m)	150' (45.7m)
0	6	18	16	16	14
6	10	18	16	14	12
10	12	16	16	14	12
12	16	14	12	Not Recommended	

**⚠️ WARNING:** The work light must be connected to a 120 VAC power source as specified. All wiring should be performed by a qualified electrician.

**⚠️ WARNING:** Disconnect power (unplug the light) before installing or servicing.

**⚠️ WARNING:** These fixtures are not intended to be used in potentially dangerous locations, such as flammable or explosive atmospheres.

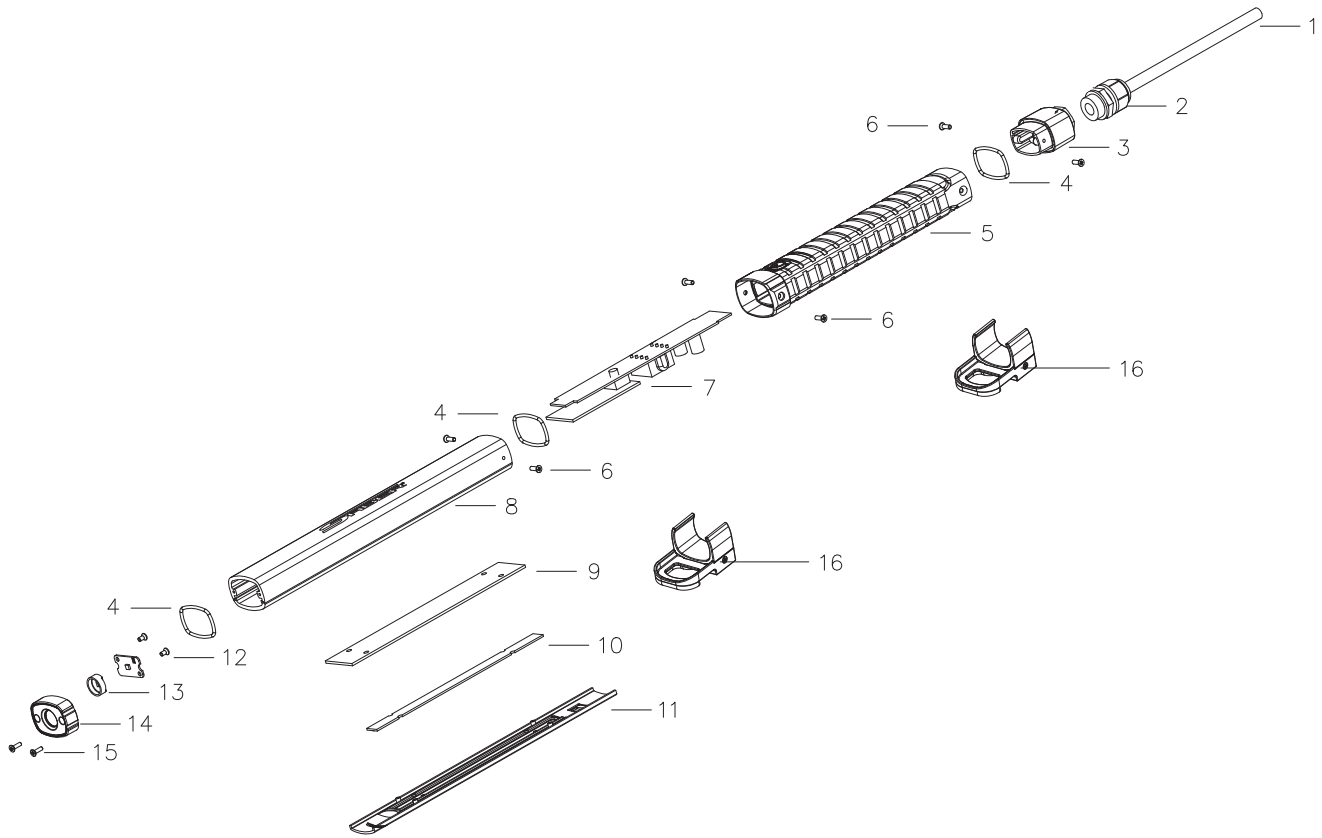
**⚠️ WARNING:** Do not disassemble the light head. The water resistant function will be affected after disassembling/opening the light.

**⚠️ WARNING:** Keep plugs and receptacles dry.

**SABER**

# ATD-80378

(FIRST GENERATION)



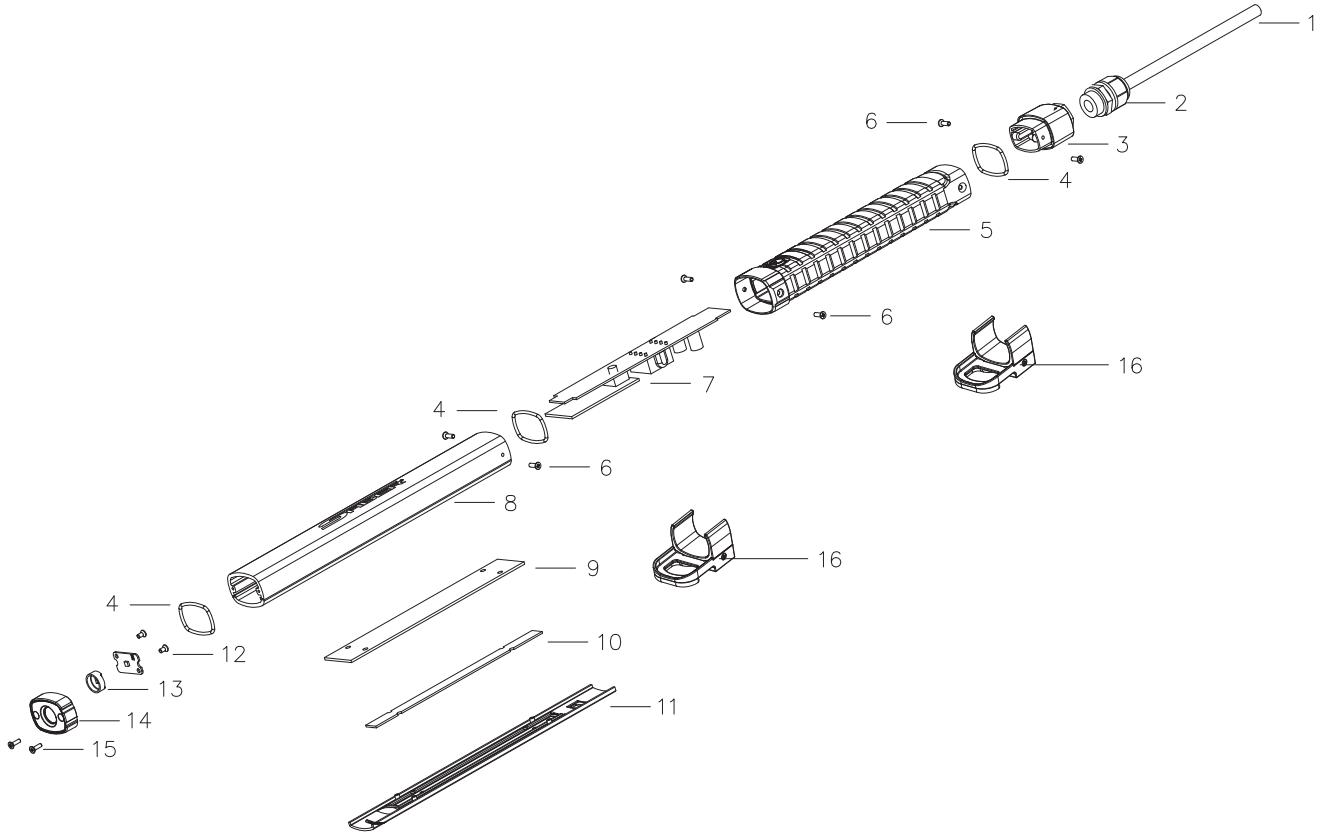
ITEM#	ORDERING PART#	PART DESCRIPTION
1	PRT80378-01	CORD, 18/2 SJTOW 25'
2	PRT80378-02	CONNECTOR
3	PRT80378-03	BOTTOM FIXED BLOCK
4	PRT80373-13	O-RING
5	PRT80375-05	HANDLE
6	PRT80378-06	SCREW C
7	PRT80378-07	PCBA WITH TOP LED
8	PRT80377-07	PC TUBE / LENS

ITEM#	ORDERING PART#	PART DESCRIPTION
9	PRT80377-10	HEAT SINK
10	PRT80378-10	LED COVER
11	PRT80378-11	REFLECTOR
12	PRT80373-11	SCREW B
13	PRT80373-12	LED COVER
14	PRT80373-14	TOP FIXED BLOCK
15	PRT80373-04	SCREW A
16	PRT80373-15	HOOK ASSEMBLY

**SABER**

**ATD-80378**

(SECOND GENERATION)



ITEM#	ORDERING PART#	PART DESCRIPTION
1	PRT80378-01	CORD, 18/2 SJTOW 25'
2	PRT80378-02	CONNECTOR
3	PRT80378-03	BOTTOM FIXED BLOCK
4	PRT80377-07-14	TOP BLOCK & PC TUBE ASSEMBLY
5	PRT80375-05	HANDLE
6	PRT80378-06	SCREW C
7	PRT80378-07	PCBA WITH TOP LED
8	PRT80377-07-14	TOP BLOCK & PC TUBE ASSEMBLY

ITEM#	ORDERING PART#	PART DESCRIPTION
9	PRT80377-10	HEAT SINK
10	PRT80378-10	LED COVER
11	PRT80378-11	REFLECTOR
12	PRT80373-11	SCREW B
13	PRT80373-12	LED COVER
14	PRT80377-07-14	TOP BLOCK & PC TUBE ASSEMBLY
15	PRT80373-04	SCREW A
16	PRT80373-15	HOOK ASSEMBLY

(Rev 03-16)